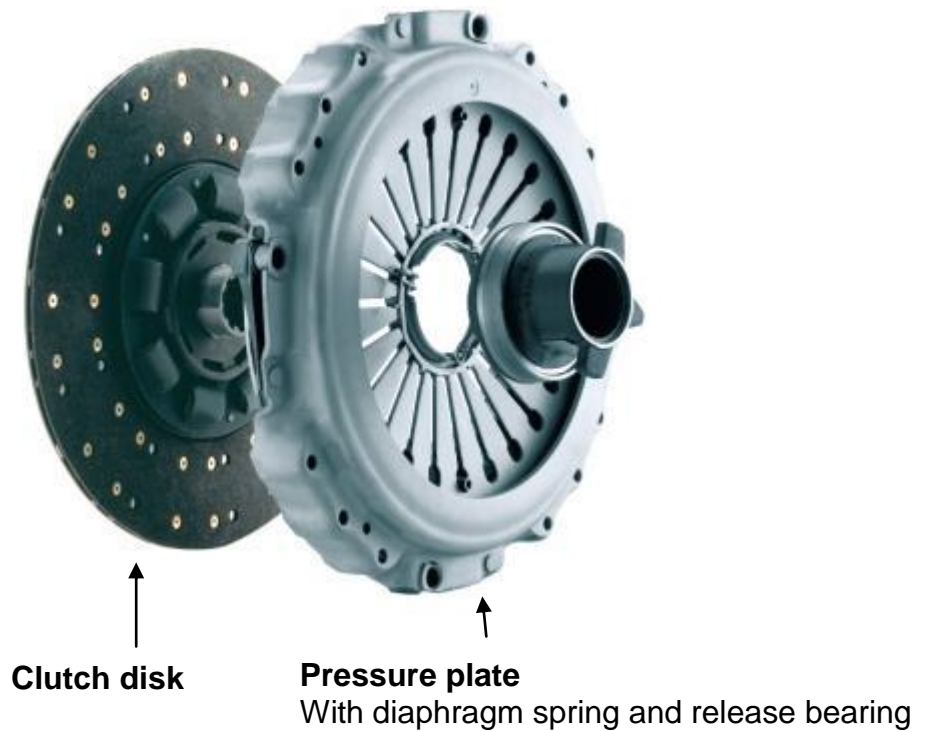


CV-clutch



Criteria:

- dismantled / incomplete
- mechanical damage
- discoloration by overheating
- corrosion
- not identifiable

Note regarding completeness:

- The pressure plate is complete with and without release bearing. However please do not separate forcibly the release bearing.

Criterion: dismantled / incomplete

missing lining



Clutch disc is dismantled
→ not acceptable



Clutch disc is complete, lining is present
→ acceptable

Criterion: mechanical damage

Clutch disc:



Broken disc and missing springs
→ not acceptable



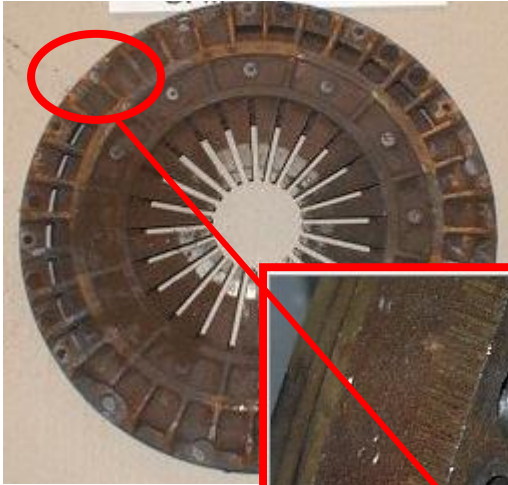
Torsional vibration absorber cracked or deformed
→ not acceptable



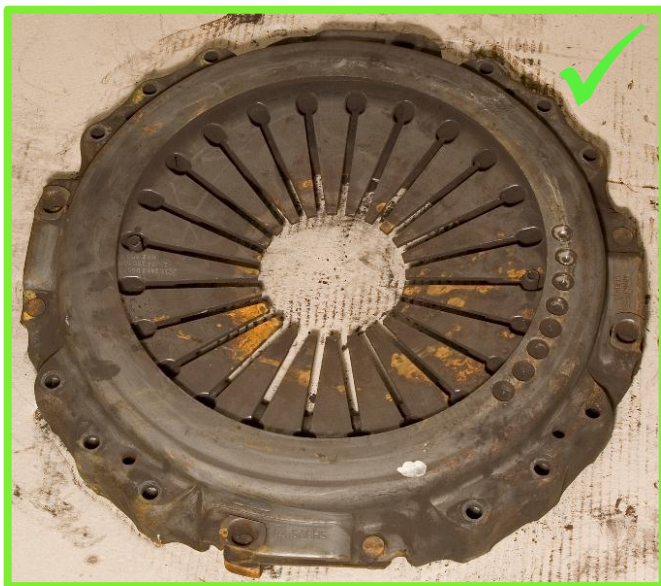
Clutch disc is complete when containing all springs.
→ acceptable

Criterion: mechanical damage

Pressure plate:



Housing (casting make) damaged or broken
→ not acceptable



Housing (steel sheet make housing)
complete
→ acceptable

Diaphragm spring:



Missing/broken fingers of the diaphragm spring
→ not acceptable



Slight weariness of the fingertips of the diaphragm spring → acceptable

Criterion: Corrosion



Surface corrosion is acceptable, but not pitting corrosion

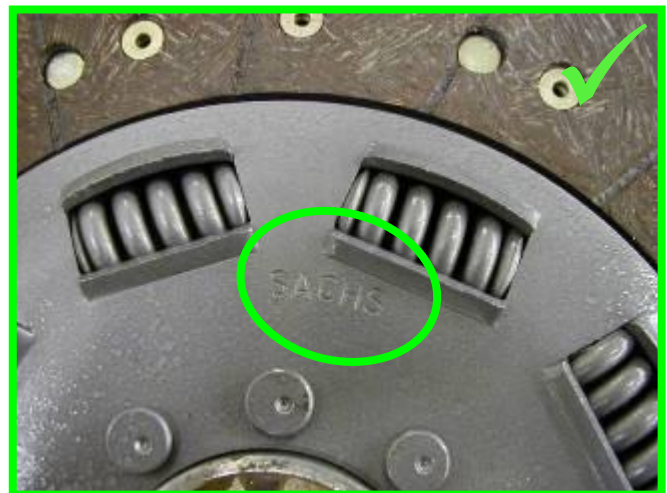
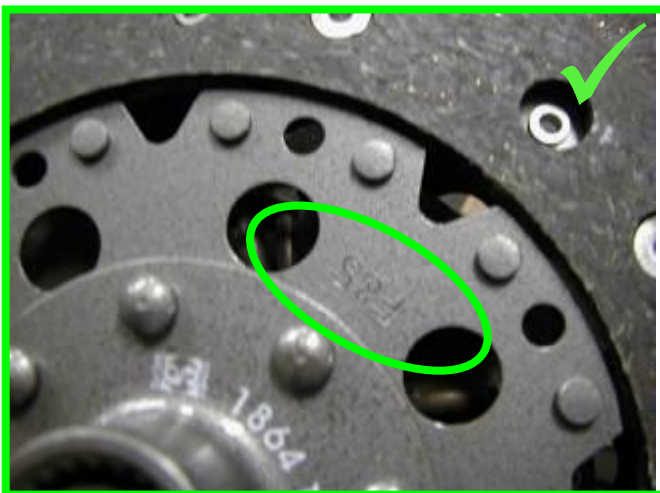
Criterion: discoloration



Criterion: not identifiable

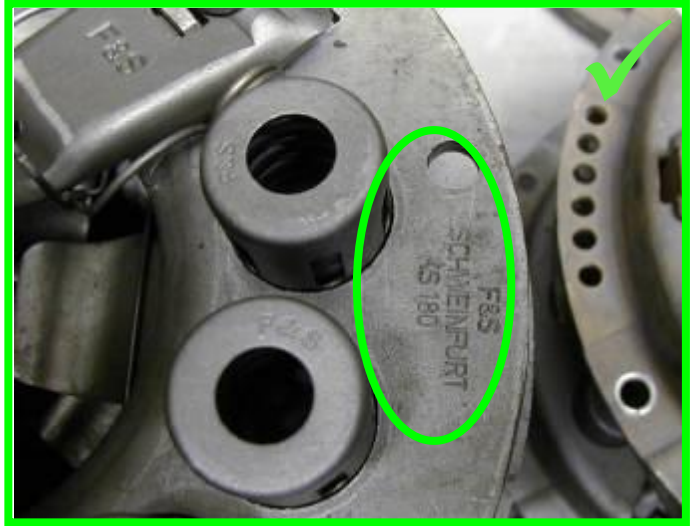
The SACHS Logo and the part number must be visible and readable.
Please use the original packaging for the core return transportation. This leads to a better/faster identification of the part and you avoid further damages

Clutch disc:



Criterion: not identifiable

Pressure plate



Diaphragm spring

