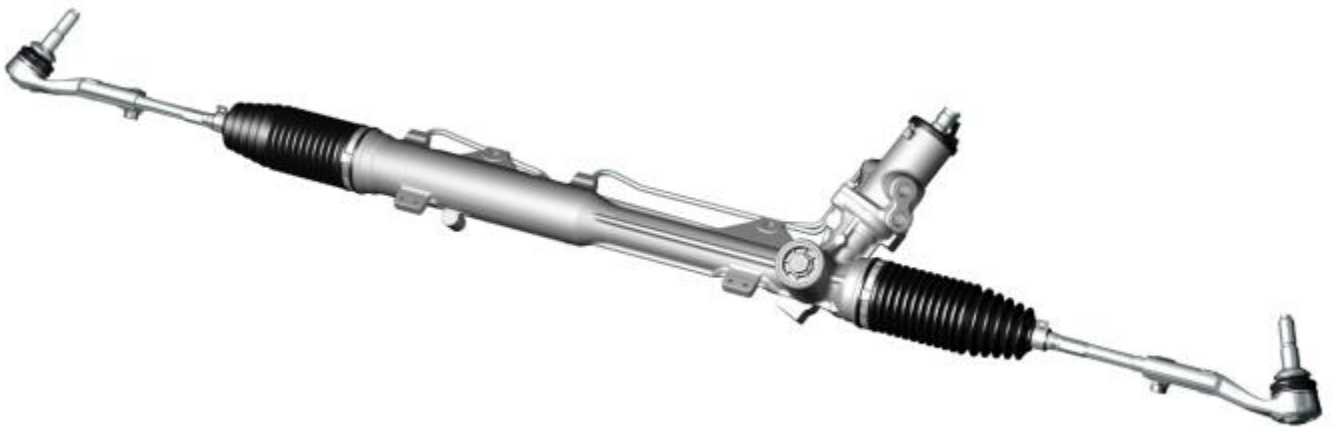


Rack-and-pinion power Mechanical steering



Criteria:

- dismantled / incomplete
- mechanical damage
- corrosion
- not identifiable

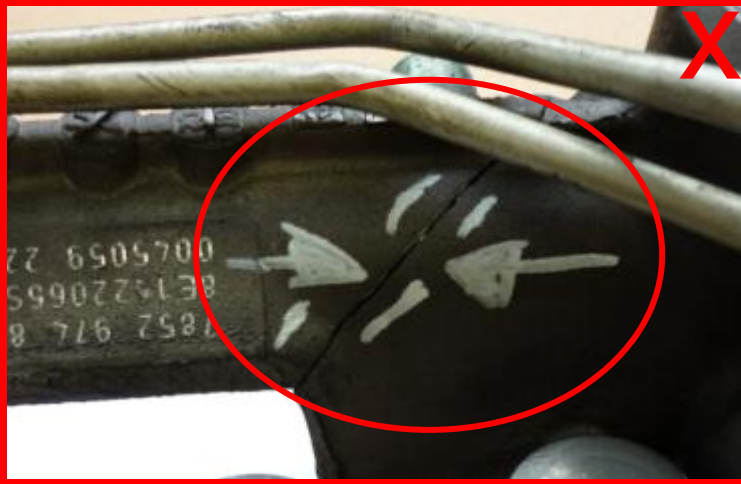
Criterion: dismantled / incomplete



Steering dismantled → not acceptable



Criterion: mechanical damage



broken housing → not acceptable



broken steering track bar
→ not acceptable

Criterion: corrosion



corrosion → not acceptable

Criterion: not identifiable



with original number → acceptable



without original label / original number → not acceptable